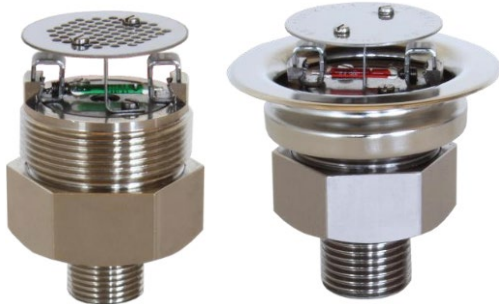


DuraQuench™ OH-VSO NOZZLE



Description

The OH-VSO nozzle is an automatic, closed head, concealed, low pressure water mist nozzle used in the Fike DuraQuench water mist system for protection of offices, schools, hotels, museums, institutions, data processing areas, concealed spaces, meeting rooms, restaurant seating areas, and similar applications.

The nozzle is installed semi-recessed into the ceiling with the trim ring flush to the ceiling surface, leaving only the nozzle cover plate exposed below the ceiling. Nozzle and trim rings are available with a standard chrome or white finish. Optional RAL colors are available to make the nozzle blend in with almost every type of surface.

Optional dry nozzle units are available to allow the OH-VSO nozzle to be installed on wet pipe systems where pipe connections are exposed to temperatures below 32°F (0°C). Refer to Fike data sheet W.1.30.01 for details.

Approvals

The OH-VSO nozzle is FM approved and has been successfully tested to the FM5560 standard for HC1 occupancies. This means that the OH-VSO nozzle can be used to protect most Light Hazards defined in NFPA 13, Standard for the Installation of Sprinkler Systems and NFPA 750, Standard on Water Mist Fire Protection Systems, and Ordinary Hazard 1 and 2 defined in EN Standard 12845.

Specifications

General	
Weight	0.47 lbs. (0.211 kg)
Housing	Brass (NiSn coating)
Strainer	Stainless steel
Thread	½" NPT or ½" BSP-T
Cover plate finish	Chrome or White (other RAL colors available)
Minimum water pressure	116 psi (8 bar)
Maximum working pressure	232 psi (16 bar)
K-factor	1.16 gpm @ 1 psi (16.7 lpm @ 1 bar)
FM approved nominal release temperature	135°F (57°C) ^[1]
Time response index (metric)	RTI < 50 (fast response class)
Droplet Size	DV ₉₀ < 300 µm
Application	
Maximum height	16'-5" (5 m)
Minimum height	6'-7" (2 m)
Maximum spacing	14'-9" x 14'-9" (7'-4" to wall) 4.5 m x 4.5 m (2.25 m to wall)
Minimum spacing	7'-5" x 7'-5" (3'-2" to wall) 2.25 m x 2.25 m (1.125 m to wall)
Minimum design area (NFPA 750 / FM)	Most remote 9 nozzles or all nozzles within a 1500 ft ² (140 m ²) demand area, whichever is greater
Maximum design area	Unrestricted
Minimum system operation time	>30 minutes (NFPA 750) >60 minutes (FM)
Nominal flow rate	12.48 gal/min (47.23 l/min)

[1]Other release temperatures available. See Ordering Information.

This document is only intended to be a guideline and is not applicable to all situations. Information is subject to Fike's full disclaimer at <http://www.fike.com/disclaimer>.

Ordering

02-14870-A-B-C-D

A (Material): 1 = Brass; 2 = SST

B (Threads): 1 = ½ NPT; 2 = ½ BSP

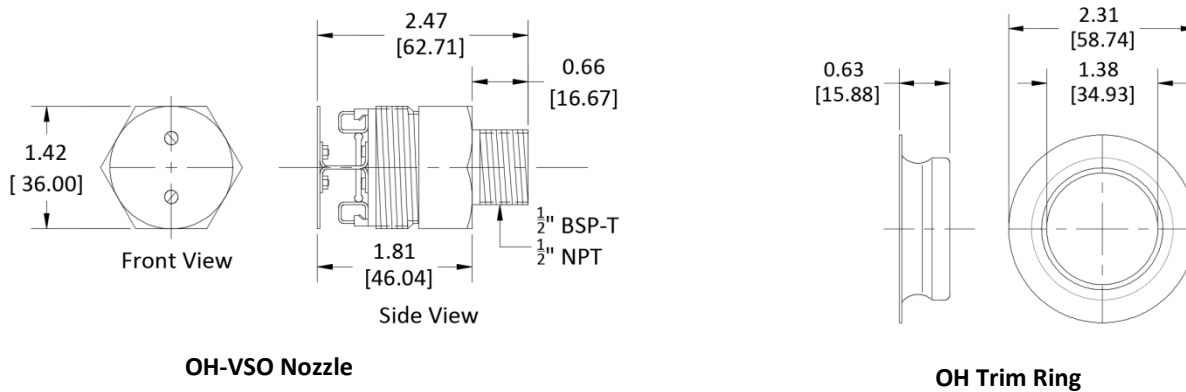
C (Cover Plate): 1 = Chrome Plated; 2 = White (RAL 9010)

D (Temperature): 1 = 57°C (135°F); 2 = 68°C (154°F); 3 = 79°C (174°F); 4 = 93°C (199°F)

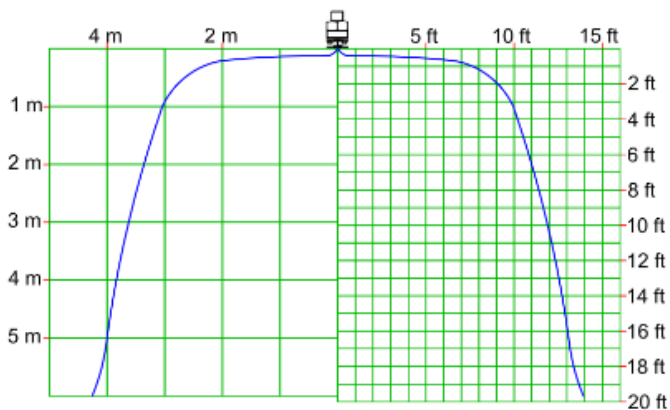
Related Products

Part Number	Description
02-14879-1	OH-Trim Ring, Stainless Steel Plating
02-14879-2	OH Trim Ring, RAL 9010 (pure white)
02-14879-3	OH Trim Ring, Stainless Steel Plating, lock screws
02-14879-4	OH Trim Ring, RAL 9010 (pure white), lock screws
02-15267	OH Pipe Spanner, Stainless Steel

Dimensions



Spray Pattern



This document is only intended to be a guideline and is not applicable to all situations. Information is subject to Fike's full disclaimer at <http://www.fike.com/disclaimer>.