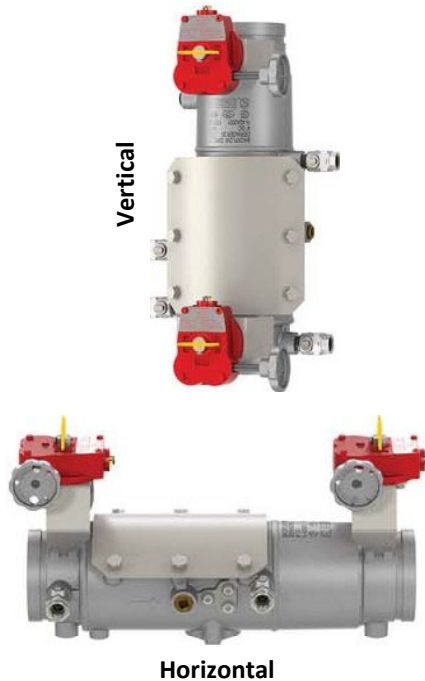


## BACKFLOW PREVENTER (Deringer 20)



Vertical

Horizontal

### Description

The Backflow Direct Deringer 20 Double Check Valve Assembly is designed to prevent non-health hazard pollutants from entering the potable water supply system caused by backpressure and/or back-siphonage conditions.

The Backflow Direct Deringer 20 Double Check Valve uses two independent Dual Action Check modules and two integral resiliently seated shut-off valves all of which are contained within a single rigid valve housing constructed entirely of 304 stainless steel. Both integral shutoff valves include pre-wired supervisory tamper switches contained within a weatherproof actuator housing approved for both indoor and outdoor use. Dual action check modules operate as a "poppet style" check under low flow conditions, operate as a "swing style" check under high flow conditions and use replaceable silicone elastomer sealing discs. Assembly test cocks are handleless and operate via a tamper resistant actuator. The valve has a single full access service port and cover with an "inline" replaceable elastomer seal, and is serviceable without special tools. It is approved for both horizontal and vertical applications.

### Specifications

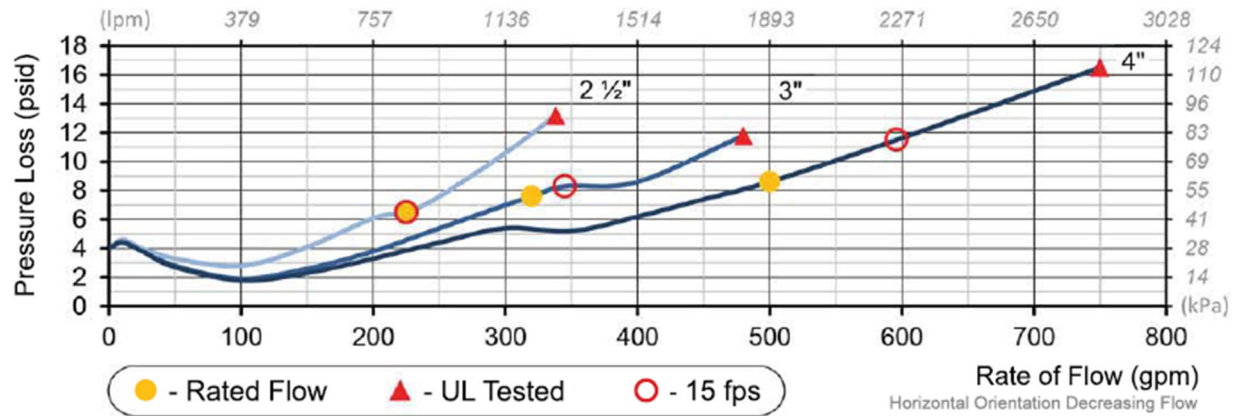
Fike Part Number	02-14908-1 (2 1/2") 02-14908-2 (3")
Working Pressure	10 – 175 psi (0.7 – 12.1 bar)
Temperature Range	33° - 140°F (1° - 60°C)
End Connections	IPS Groove for Steel Pipe AWWA C606 Flange Adapters ANSI B16.1 Class 124
Weight	38 lbs./17 kg (2 1/2") 40 lbs./18 kg (3")

### Materials

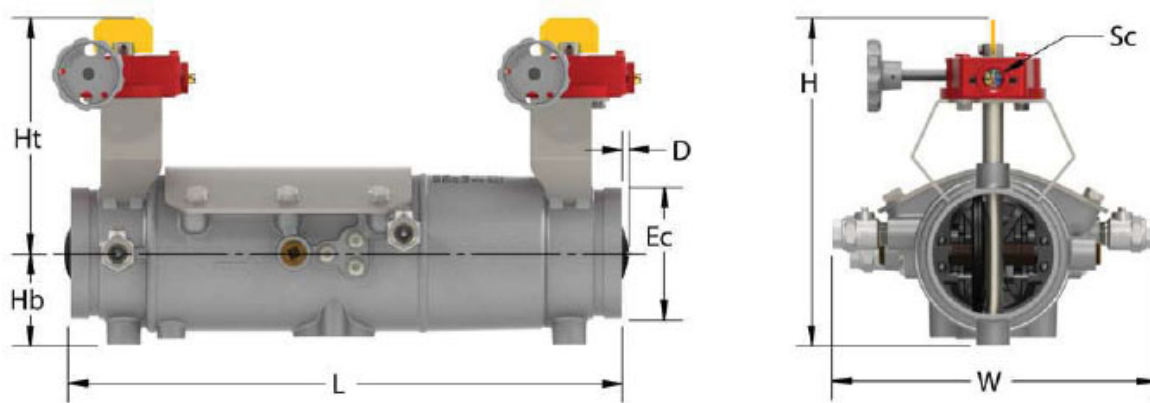
Valve Housing	304 Stainless Steel
Valve Cover	304 Stainless Steel
SOV Disks	EPDM/304 Stainless Steel
SOV Shafts	304 Stainless Steel
SOV Bearings	Teflon/Bronze
Non Wetted Bolts	Grade 8 Zinc Plated
Wetted Fasteners	18-8 Stainless Steel
Check Disks	Silicone (NSF)
Check Springs	17-7 Stainless Steel
Check Pins	17-7/18-8 Stainless Steel
Check Seats	Noryl Polymer (NSF)
O-Rings	Buna-N (NSF)
Listing / Approval	FM Approved

This document is only intended to be a guideline and is not applicable to all situations. Information is subject to Fike's full disclaimer at <http://www.fike.com/disclaimer>.

## Flow Performance



## Dimensional Information



Size in (mm)	Ht in (mm)	Hb in (mm)	L in (mm)	Ec in (mm)	D in (mm)	H in (mm)	W in (mm)	Sc NPT
2 1/2" (65)	7.1 (180)	2.9 (74)	18.7 (475)	2 1/2 (65)	0.0 (0)	10.0 (254)	11.0 (279)	1/2"
3" (80)	7.4 (188)	2.9 (74)	18.7 (475)	3 (80)	0.0 (0)	10.3 (262)	11.0 (279)	1/2"

This document is only intended to be a guideline and is not applicable to all situations. Information is subject to Fike's full disclaimer at <http://www.fike.com/disclaimer>.