

FPPI TRIMFIT® BUTTERFLY CONTROL VALVES



**2" & 2 1/2" Grooved
Control Valve
(Model BFG)**



**2" & 2 1/2" Threaded
Control Valve
(Model BFG)**

Features

- Indoor and outdoor use.
- UL Listed and FM Approved for Fire Protection use.
- Mounted in any orientation.
- Open and closed supervisory switches.
- Designed to open and close slowly to prevent water hammer.

Description

The FPPI TrimFIT butterfly control valves are used on the DuraQuench™ water mist system for the following functions: Suction (supply) Isolation Control Valve, Test Header Isolation Valve, Discharge Isolation Control Valve, Riser Inlet Isolation Valve and Riser Outlet Isolation Valve.

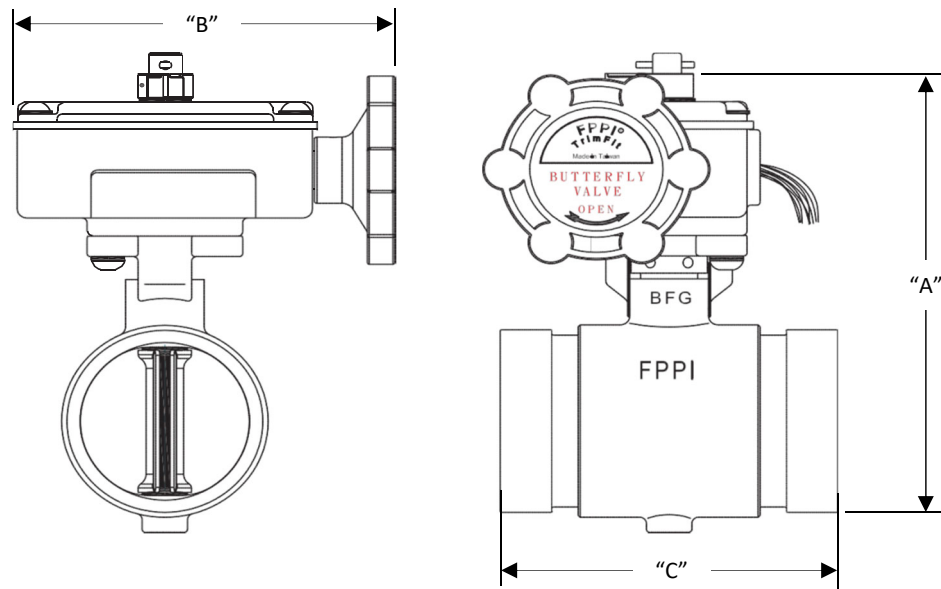
Each valve is equipped with a tamper switch assembly suitable for indoor or outdoor use. The tamper switch features two switches. Switch 1 can be used for connection to a supervisory circuit of a listed fire alarm control panel. Switch 2 can be used for connection to auxiliary equipment.

Specifications

Part Number	02-14916-1 (2") 02-14916-2 (2 1/2")	02-16978-1 (2") 02-16978-2 (2-1/2")
Mounting	Grooved	Threaded (FNPT)
Rated Pressure	300 psi (20.7 bar)	
Switch Rating	10A @115VAC-60 Hz 0.5A @ 28VDC	
Location	Indoor/Outdoor Use	
Materials		
Body	Bronze, ASTM 584 83600	
Disc	304 Stainless Steel	
Handwheel	ASTM A216 WCB	
Seat/Seal	ASTM D2000 Viton	
Indicator Flag	Powder Coated Metal	
Housing / Cover	Forged Brass	
Listing / Approval	UL Listed/FM Approved	

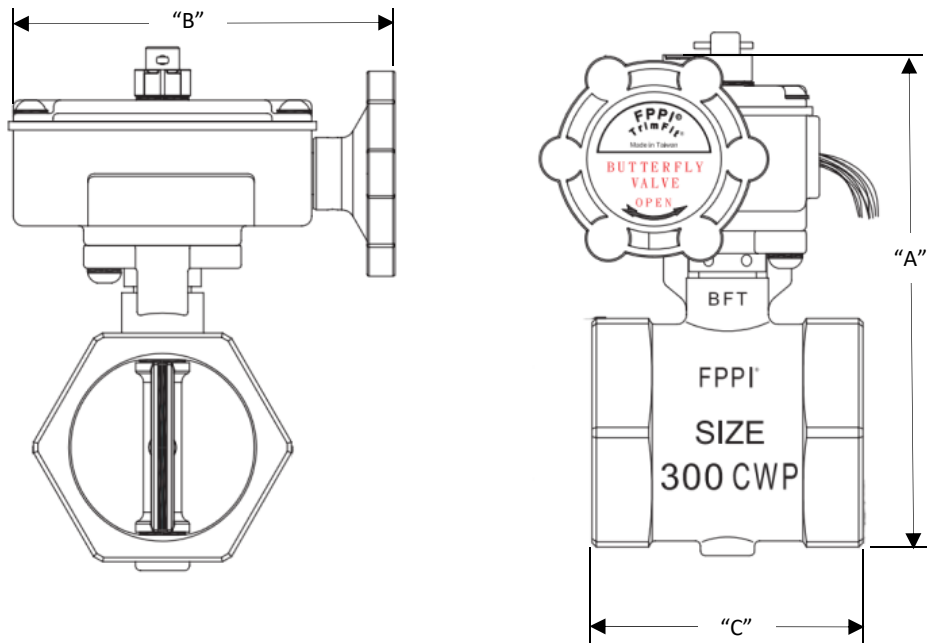
This document is only intended to be a guideline and is not applicable to all situations. Information is subject to Fike's full disclaimer at <http://www.fike.com/disclaimer>.

Dimensional Information



2" & 2 1/2" Grooved Control Valve (BFG)

Valve Size	"A"	"B"	"C"
2"	6.07" (154 mm)	4.65" (118 mm)	4.09" (104 mm)
2 1/2"	6.58" (167 mm)	4.65" (118 mm)	4.49" (114 mm)



2" & 2 1/2" Threaded Control Valve (BFT)

Valve Size	"A"	"B"	"C"
2"	6.13" (156 mm)	4.65" (118 mm)	3.25" (83 mm)
2 1/2"	6.58" (167 mm)	4.65" (118 mm)	4.49" (114 mm)

This document is only intended to be a guideline and is not applicable to all situations. Information is subject to Fike's full disclaimer at <http://www.fike.com/disclaimer>.