

## FIRE DEPARTMENT CONNECTION



FDC



CAP



Wall Plate

### Description

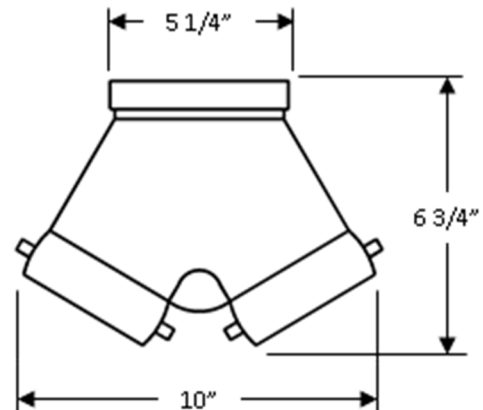
The Potter Roemer fire department connection (FDC) is used as an auxiliary inlet connection through which the fire department can pump water into the DuraQuench™ system to supplement the primary water supply. The FDC provides a single swing clapper with two 2-1/2" hose inlets, each rated for 250 gpm (946 lpm) minimum flow.

A fire department connection shall be provided on all water mist systems, except as outlined in NFPA 750.

### Specifications

Fike Part Number	02-14931 02-15244 (Cap ordered separately) 2 each 02-15316 (Wall Plate ordered separately)
Material	Cast Brass
Size	Inlet – 2 1/2" (Qty. 2) Outlet – 4"
Wall Plate Lettering	AUTO. SPKR.
Listing / Approval	FM Approved

### Dimensions



This document is only intended to be a guideline and is not applicable to all situations. Information is subject to Fike's full disclaimer at <http://www.fike.com/disclaimer>.