

PERCUSSION INITIATOR

DESCRIPTION

The Fike Percussion Initiators are percussion fired initiators for use in downhole oil and gas completion operations. They are typically used in Tubing Conveyed Perforating (TCP) operations to initiate the detonation chain of perforating guns for the completion of oil and gas wells.

The Percussion Initiator is available in multiple configurations for direct replacement of existing Percussion Initiators. It is intended for use in existing tools that meet the firing pin travel limits, "all-fire" characteristics and other specifications listed in the data sheet. The Fike Percussion Initiator is hermetically sealed to resist corrosion and manufactured to meet the following specifications.



Percussion Initiator

SPECIFICATIONS

At Fike, our highest goal is to ensure that our energetic products are safe for handling and use by customers. Fike Percussion Initiators have undergone extensive testing to meet and exceed the following standards and regulations:

- API RP-67 Standard 5lb No-Fire Test
- API RP-67 Standard 10lb All-Fire Test
- API RP-67 Six (6) Foot Drop Test
- U.S. Military Standard 331 - Forty (40) Foot Drop Test
- DOT Hazardous Material Requirements
- CE Certified Safety Directives

Material of Construction	Body – 316 SST
Time and Temperature Exposure	See Ordering Information Chart
Gap	Initiates boosters at 1.25 IN max gap
Firing Characteristics (refer to 2nd page)	All-Fire: Configuration A Firing Pin – 10 ft-lbs applied at 9.7 ft/s Configuration B: Firing Pin – 12.4 ft-lbs applied at 13.4 ft/s No-Fire: 5.0 foot-pounds maximum Note: Limit firing pin travel to a maximum of .157 (3.99mm) to .165 (4.19mm) from back surface (refer to 2nd page)
Recommended Firing Pin	0.05 IN spherical radius
Pressure Rating	20,000 PSIG before and after function
Shipping Classification	DOT Hazard Class: 1.4 S (all P/N's) UN Number: UN 0323 (all P/N's) Ref Number: EX2009070008 (P/N 072120-1) EX2009070009 (P/N 072120-3) EX2009080482 (P/N 072140-1) EX2010101404 (P/N 072140-3) CE Cert Number: ENB/B/158/10 (all P/N's)
Shelf Life	5 years

Note: All information and ratings are subject to change without notice. It is the users responsibility to conduct any necessary testing and ensure the Percussion Initiators are suitable for the user's intended application, prior to use.

APPLICATIONS

- Explosive Trains
- Perforating Guns
- Tubing Conveyed Perforating
- Specialized Applications

ORDERING INFORMATION

Fike P/N	Description	Reference	Temperature Rating
072120-1	Initiator, Hi-Temp (320°F) with -020 O-Ring Groove	Illustration 1	320°F for 200 Hours 340°F for 100 Hours
072120-3	Initiator, Hi-Temp (320°F) without -020 O-Ring Groove	Illustration 2	320°F for 200 Hours 340°F for 100 Hours
072140-1	Initiator, Hi-Temp (425°F) without -020 O-Ring Groove	Illustration 2	425°F for 200 Hours
072140-3	Initiator, Hi-Temp (425°F) with -020 O-Ring Groove	Illustration 1	425°F for 200 Hours

Note: Consult Fike for applications beyond the standard specifications.

DIAGRAMS

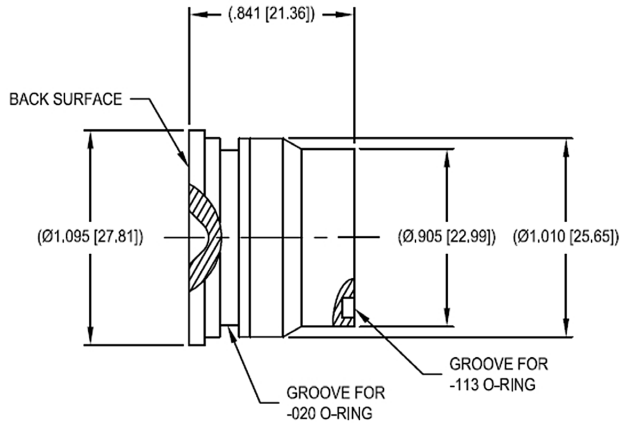


ILLUSTRATION 1

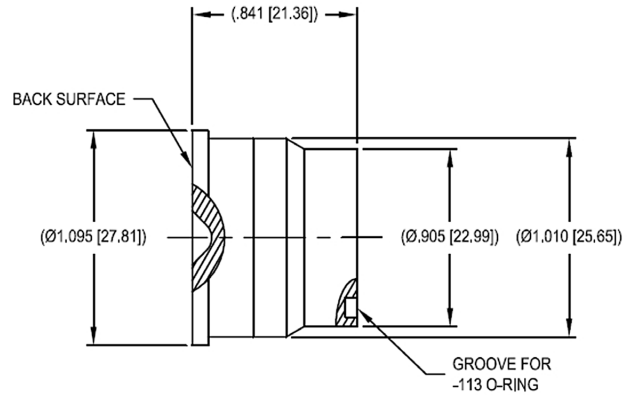
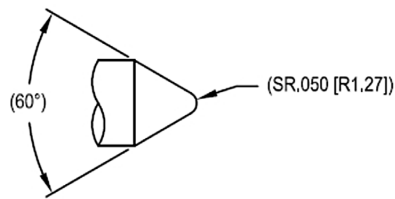
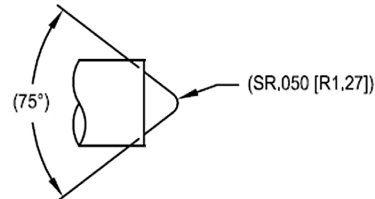


ILLUSTRATION 2



CONFIG A



CONFIG B

Firing pin configurations for informational purposes only