

SCREW TYPE

DESCRIPTION

Fike Screw Type holders are adaptable to small high-pressure equipment, such as laboratory pressure set-ups, autoclaves, gas bottles, and other applications too numerous to list.

Standard screw type holders are confined to the DN15 or 1/2" nominal bursting disc size. They consist of three components: the inlet (base), the holddown ring, and the outlet nut.

FEATURES AND BENEFITS

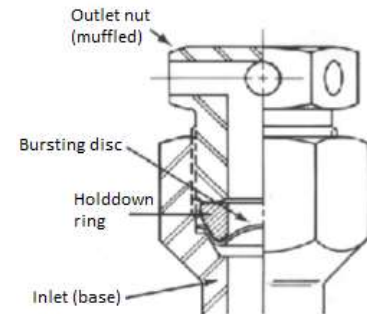
- Available in 30° seat and flat seat arrangements
- Burst pressures up to 690 barg are standard available, higher burst pressures are available with special design units
- Can be provided with male NPT inlet as a standard and can be utilized with a muffled outlet, a male or female NPT outlet, or a free outlet
- Other thread specifications such as ISO, BSP, etc. are available on request

MODEL 1/2-30

The 1/2-30 screw type bursting disc holder utilizes the 30° angular seating arrangement and is designed for use with Fike conventional prebulged solid metal discs. The holder is limited to a maximum pressure of 207 bar.

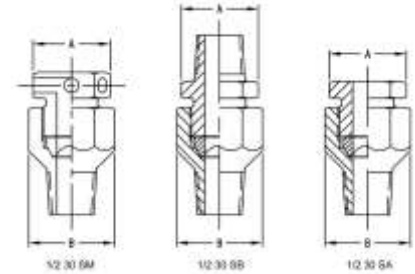
MODEL 1/2-100

The 1/2-100 screw type bursting disc holder utilizes the flat seating arrangement, which is characteristic of and for use with Fike conventional forward acting prescored bursting discs. This style of holder has a maximum pressure rating of 690 barg. Special holders, similar to the 1/2-100 type, can be made in other nominal sizes and for pressures up to 6900 barg to the customer's specification.



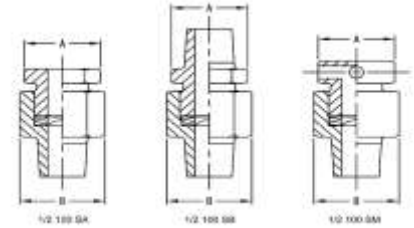
DIMENSIONS

Model	Connections ⁽²⁾		Size across flats (mm)		Height (mm) ± 2
	Inlet	Outlet	A	B	
1/2 – 30 – SA	1/4" NPT	Free	30	36	63
1/2 – 30 – SA	1/2" NPT	Free	30	36	63
1/2 – 30 – SB	1/4" NPT	1/4" NPT	30	36	78
1/2 – 30 – SB	1/2" NPT	1/2" NPT	30	36	78
1/2 – 30 – SM	1/4" NPT	Muffled	30	36	63
1/2 – 30 – SM	1/2" NPT	Muffled	30	36	63



DIMENSIONS

Model ⁽¹⁾	Connections ⁽²⁾		Size across flats (mm)		Height (mm) ± 2
	Inlet	Outlet	A	B	
1/2 – 100 – SA	1/4" NPT	Free	30	36	59
1/2 – 100 – SA	1/2" NPT	Free	30	36	59
1/2 – 100 – SB	1/4" NPT	1/4" NPT	30	36	74
1/2 – 100 – SB	1/2" NPT	1/2" NPT	30	36	74
1/2 – 100 – SM	1/4" NPT	Muffled	30	36	59
1/2 – 100 – SM	1/2" NPT	Muffled	30	36	59



(1) ASME UD available for 1/2" / DN15 P series Flat Seat or 1/2" / DN15 SCR D Flat Seat bursting discs. Consult Fike for more details.

(2) Other thread connections are available on request.