



XAL
Pull Ring



XAS
Break Glass

Class I, Div. 1 & 2, Groups C,D
Class I, Zones 1 & 2, Groups IIB, IIA
Class II, Div. 1 & 2, Groups E,F,G
Class III
NEMA 7(C,D) 9(E,F,G)

FEATURES-SPECIFICATIONS

Applications

- Hazardous areas due to the presence of flammable gases or vapors, combustible dusts or easily ignitable fibers or flyings
- Installation at petroleum refineries, chemical and petrochemical plants, storage areas, and other processing facilities where hazardous substances are handled or stored
- Areas where emergency control of fire alarm or signal circuits is required

Features

- Enclosure is made of copper free aluminum alloy
- Conduit openings are 3/4" NPT feed through
- Red, textured powder epoxy paint finish is standard on box and cover and provides high visibility for alarm station
- XAL-458 has (2) normally open and (2) normally closed contacts.
- Bilingual nameplates included per CSA requirement
- Internal ground screw is standard

Operation

XAL: The alarm station is activated by lifting the front cover and pulling down ring. This quick, easy to use two-step process prevents unintentional operation. Operator is reset by depressing shaft and returning plate to original position.

XAS: Breaking glass with hammer provided activates alarm. Reset by replacing glass.

Replacement glass catalog number **YOKK-15214**.

Replacement hammer and chain **KIT-232**.

XAL Series:

- UL Listed - File E50498
- ULC Listed - CE69
- SP Certified - File LR31085
- Listed - California State Fire Marshall #7150-1439:100

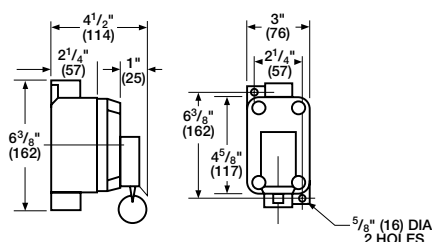
XAS Series:

- UL Listed - File E50498
 - SP Certified - File LR31085
- See files for details or call Killark.

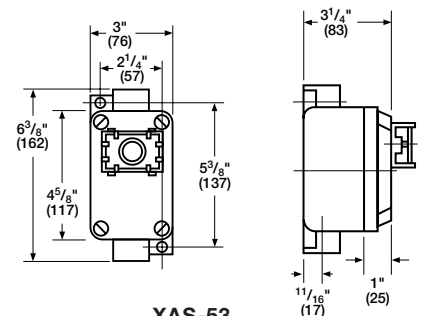
| XAL FIRE ALARM STATION | | |
|------------------------|----------------|----------------|
| CATALOG NUMBER | OPERATION TYPE | CONTACT BLOCKS |
| XAL-53 | Pull ring | (1) NO/NC |
| XAL-458 | Pull ring | (2) NO/NC |
| XAS-53 | Break glass | (1) NO/NC |

| CONTACT BLOCK RATING | | | | | | | | |
|----------------------|--------------|------|---------------|-----|-----------------------------|-------|------------|-----------------------------|
| AC | | | | | | DC | | |
| VOLTS | MAKE AMPERES | VA | BREAK AMPERES | VA | CONTINUOUS CARRYING AMPERES | VOLTS | MAKE BREAK | CONTINUOUS CARRYING AMPERES |
| 120 | 60 | 7200 | 6 | 720 | 10 | 125 | 1.1 | 10 |
| 240 | 30 | 7200 | 3 | 720 | 10 | 250 | 0.55 | 10 |
| 480 | 15 | 7200 | 1.5 | 720 | 10 | 600 | 0.2 | 10 |
| 600 | 12 | 7200 | 1.2 | 720 | 10 | | | |

Dimensions



XAL-53



XAS-53

Note: On XAL-458 the overall depth is 5-9/16"