

Xi 400 COMPACT SPOT FINDER IR CAMERA



Specifications

Optical resolution	382 x 288 pixels
Detector	FPA, uncooled (17 µm x 17 µm pitch)
Spectral range	8 – 14 µm
Temperature ranges	-20°C - 100°C (-4°F - 212°F), 0°C - 250°C (32°F - 482°F), (20 [68]) 150°C - 900°C ¹⁾ (302°F - 1652°F) ¹⁾
Frame rate	80 / 27 Hz
Optics (FOV)	18° x 14° (f = 20 [0.79]), 29° x 22° (f = 12.7 [0.50]), 53° x 38° (f = 7.7 [0.30]), 80° x 54° (f = 5.7 [0.22])
Microscope optics (FOV)	18° x 14° (f = 20), smallest measuring spot (MFOV): 240 µm
Focus	Manual motor focus
Optical resolution (D:S)	390:1 (18° optics)
Thermal sensitivity (NETD)	80 mK
Accuracy	±2°C or ±2% (±4°F or ±2%), whichever is greater
PC interface	USB 2.0 / optional USB to GigE (PoE) conversion
Process interface (PIF), standard	0-10 V input, digital input (max. 24 V), 0-10 V output
Process interface (PIF), industrial	2 x 0-10 V inputs, digital input (max. 24 V), 2 x 0-10 V outputs, 3 x relay (0-30 V / 400 mA), fail-safe relay
Cable length (USB)	1 m (3.3 ft) standard, 3 m (9.8 ft), 5 m (16.4 ft), 10 m (32.8 ft), 20 m (65.6 ft)
Ambient temperature	0°C to 50°C (32°F to 122°F)
Enclosure (size/rating)	Ø 36 mm x 100 mm (Ø 1.42 in x 3.9 in) (M30x1 thread / IP 67 (NEMA 4)
Weight (without mounting bracket)	216 – 220 g, (7.6 – 7.7 oz) depending on lens
Shock ²⁾ /Vibration ³⁾	IEC 60068-2-27 (25G and 50G) / IEC 60068-2-6 (sinus shaped) IEC 60068-2-64 (broadband noise)
Power Supply	USB
Scope of supply	<ul style="list-style-type: none"> IR camera USB cable (1 m [3.3 ft]) Standard PIF cable (1 m [3.3 ft]) incl. terminal block Mounting bracket with nut Software package

Features

- Industrial imager with 382 x 288 pixels for exact temperature measurement of -20°C to 900°C (-4°F to 1652°F)
- Small sized rugged camera with motorized focus
- Distance-to-spot-ratio up to 390:1 with sighting capabilities
- 80 Hz frame rate for monitoring of fast thermal process
- Extensive ready-to-use package – including versatile image processing software with line-scan feature and connection cables

1) Accuracy statement effective from 150°C (302°F)

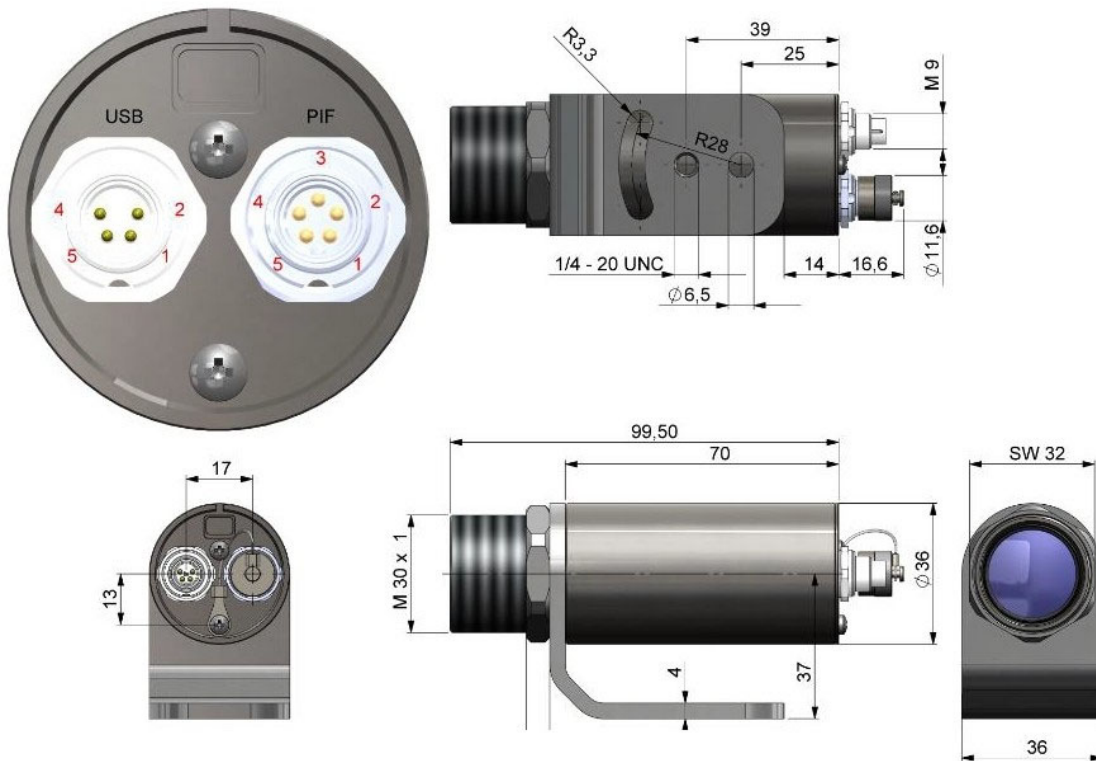
2) For more details see operator's manual

This document is only intended to be a guideline and is not applicable to all situations. Information is subject to Fike's full disclaimer at <http://www.fike.com/disclaimer>.

Ordering

Part Number	Description
28-0020	Xi 400 IR camera with 18° x 14° lens / F = 20 mm, -20°C to 900°C
28-0021	Xi 400 IR camera with 29° x 22° lens / F = 12.7 mm, -20°C to 900°C
28-0022	Xi 400 IR camera with 53° x 38° lens / F = 7.7 mm, -20°C to 900°C
28-0023	Xi 400 IR camera with 80° x 54° lens / F = 5.7 mm, -20°C to 900°C
Accessories	
28-0040	4-pin USB cable, 1 m (3.3 ft), USB A connector
28-0041	4-pin USB cable, 3 m (9.9 ft), USB A connector
28-0042	4-pin USB cable, 5 m (16.4 ft), USB A connector
28-0043	4-pin USB cable, 5 m (16.4 ft), USB A connector, suitable for cable carriers and outdoor applications
28-0044	4-pin USB cable, 10 m (32.8 ft), USB A connector
28-0045	4-pin USB cable, 10 m (32.8 ft), USB A connector, suitable for cable carriers and outdoor applications
28-0046	4-pin USB cable, 20 m (65.6 ft), USB A connector
28-0047	4-pin USB cable, 20 m (65.6 ft), USB adapter, suitable for cable carriers and outdoor applications
28-0048	Spare protective window (Si) for camera air purge, laminar
28-0049	Outdoor protective housing for XI camera (up to 80° FOV), for USB Server and for Industrial Process Interface with integrated heater, incl. air purge collar/24 VDC. Must also order 28-0054.
28-0054	Wall mount for outdoor protective housing
28-0057	Industrial Process Interface (PIF) for PI / Xi 400 IR cameras, connection box (IP65), 500 VAC RMS isolation voltage between camera and process, 0/4-20 mA analog outputs, 5 m (16.4 ft) standard cable (85°C) for connection between camera and PIF.
28-0058	Industrial Process Interface (PIF) for PI / Xi 400 IR cameras, no connection box, 500 VAC RMS isolation voltage between camera and process, 0/4-20 mA analog outputs, 25 cm connection cable to camera, for integration into outdoor protective housing.
28-0061	Indoor camera mount, wall-ceiling and T-bar clip mounting, 360° rotation, adjustable, tilt, tamper resistant

Dimensions



This document is only intended to be a guideline and is not applicable to all situations. Information is subject to Fike's full disclaimer at <http://www.fike.com/disclaimer>.